



RX series **OSDP™**
INSTALLATION GUIDE

www.tm-readers.com

Specifications subject to change without notice.

©2018 Third Millennium Systems Limited. All rights reserved.

All trademarks are the property of their respective owners.

100-02707-C

reader styles

The RX SERIES of OSDP readers provide a powerfully secure and innovative design, offering a clean and stylish aesthetic to any installation.



RX1



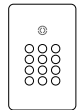
RX1K



RX2



RX3



RX3K



RX4

This document provides a general guidance for connecting and fixing the RX SERIES of OSDP readers, and apply to all styles of reader in this series.

fixing and connection

- 1** Pull bottom edge of reader MODULE away from the backplate, and lift up.



- 2** Mount the reader BACKPLATE to a flat surface using suitable fixings having a diameter no greater than 4mm (0.15 inch).



- 3** When the BACKPLATE has been mounted, make wire connections to the reader MODULE (see over) and your control panel.



Ensure you arrange the cable such not to impair or prevent the reader module being properly secured to the backplate.

i Mounting this reader on (or near) metal may impair the read range of the unit.

- 4** To fix the reader ensure the top-edge fixing lugs engage correctly with the recesses located at the top of the backplate.



- 5** Swing the bottom edge of the module down and forward until you feel the unit click shut.

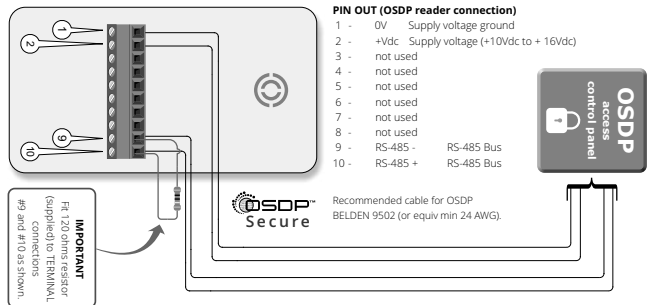


- 6** Secure the reader module to the backplate using the M3x10mm screw as supplied.



You may opt to use an M3x10mm countersunk security screw.

A connection OSDP reader to OSDP CONTROL PANEL



OSDP reader
DEFAULT SETTINGS:

BAUD RATE
9600

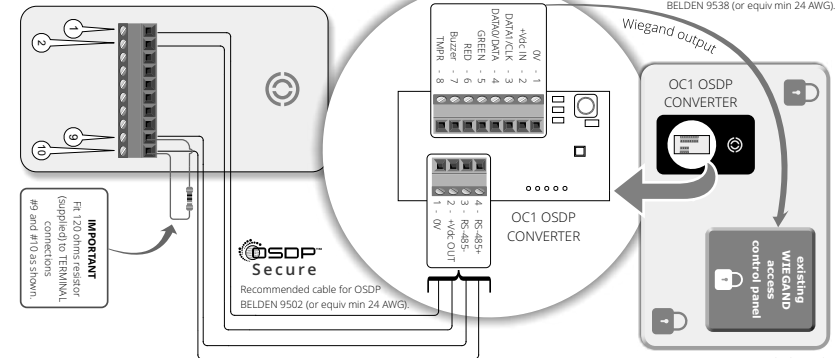
ADDRESS
0

for additional BAUD RATE & ADDRESS settings see: **OSDP CONFIGURATION GUIDE for RX SERIES of READERS** 100-02836



Go to:
www.tm-readers.com
to view or download datasheets
to our series of readers

B connection OSDP reader via OC1 to WIEGAND CONTROL PANEL



OC1 OSDP converter to be located adjacent to your access control panel in a SECURE area.

for additional information see:
OC1 INSTALLATION GUIDE

100-02776



EU Directive 2011/65/EC



EU Directive 2012/19/EU



EU Directive 2014/53/EC