



RX series  **OSDP™**
INSTALLATION GUIDE

www.tm-readers.com

Specifications subject to change without notice.

©Third Millennium Systems Limited. All rights reserved.

All trademarks are the property of their respective owners.

100-02707-D

reader styles

The RX SERIES of OSDP readers provide a powerfully secure and innovative design, offering a clean and stylish aesthetic to any installation.



RX1



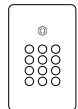
RX1K



RX2



RX3



RX3K



RX4

These notes provide a general guidance for connecting and fixing the RX SERIES of OSDP readers, and apply to all the styles in this series.

These readers should only be installed by a qualified installer.

No liability will be held for direct or consequential loss due to the incorrect use of these products. Please see our: **GENERAL WARRANTY POLICY** which is available on request.

fixing and connection

- 1** Pull bottom edge of reader module away from the backplate, and lift up.



- 2** Mount the reader backplate to a flat surface using suitable fixings having a diameter no greater than 4mm (0.15 inch).



- 3** When the BACKPLATE has been mounted, make wire connections to the reader module (**see over**) and your control panel.



Ensure you arrange the cable such not to impair or prevent the reader module being properly secured to the backplate.

i Mounting this reader on (or near) metal may impair the read range of the unit.

- 4** To fix the reader ensure the top-edge fixing lugs engage correctly with the recesses located at the top of the backplate.



- 5** Swing the bottom edge of the module down and forward until you feel the unit click shut.

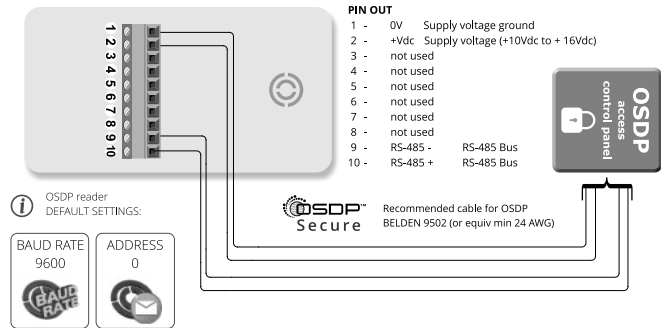


- 6** Secure the reader module to the backplate using the M3x10mm screw as supplied.

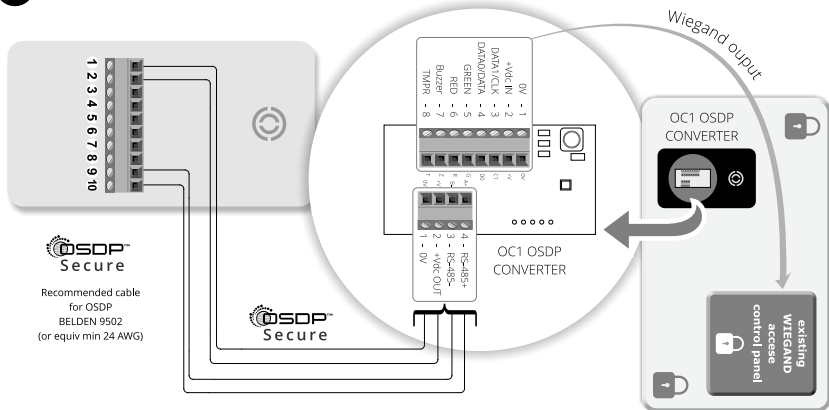


You may opt to use an M3x10mm countersunk security screw.

A connection - OSDP reader to OSDP CONTROL PANEL



B connection - OSDP reader via OC1 to WIEGAND CONTROL PANEL



Go to:

www.tm-readers.com
to view or download the datasheets
to our series of readers

for additional information on the OC1 OSDP converter -
see **OC1 INSTALLATION GUIDE - 100-02776**

OC1 OSDP converter to be located
adjacent to your access control panel
in a SECURE area.