



OC1 INSTALLATION GUIDE

www.tm-readers.com

Specifications subject to change without notice.

©2019 Third Millennium Systems Ltd. All rights reserved.
All trademarks are the property of their respective owners.

100-02776-C

Product features

The OC1 advanced access control interface provides a secure communications link to a compatible Third Millennium OSDP reader. The OC1 and reader reuse existing reader cabling to minimise installation cost, and eliminate the security vulnerability of the traditional Wiegand interface between an access control reader and the control panel.

To be installed in the secured area, the OC1 provides a compatible Wiegand output to allow the security of an access control system to be upgraded cost-effectively.

Interfacing

The OC1 runs OSDP Secure to the reader over an existing reader cable, and outputs the card data to an access control panel in any compatible format. In addition to the Wiegand output from the OC1, a flexible interface is also provided to control the LED and buzzer at the reader.

- 1** Position the OC1 unit suitable to carry out the wire connections.



- 2** Gently SLIDE vertically the OC1 cover plate.



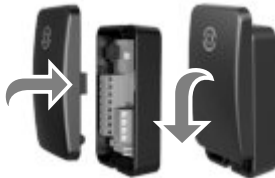
- 3** Pull the cover plate away from the main body and set aside.



- 4** Make wire connections as shown overleaf.



- 5** Ensure cable ends are located in strain guides, and replace cover plate.



- 6**
TEST INSTALLATION



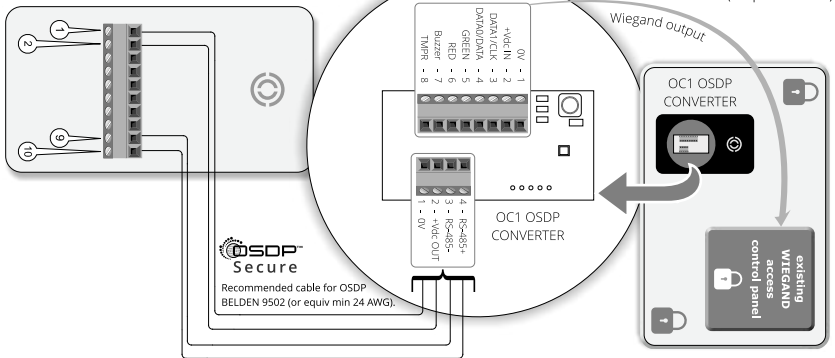
P.T.O.

A connection

OSDP reader via OC1 to WIEGAND CONTROL PANEL

PIN OUT (OSDP reader connection)

- 1 - 0V Supply voltage ground
- 2 - +Vdc Supply voltage (+10Vdc to +16Vdc)
- 3 - not used
- 4 - not used
- 5 - not used
- 6 - not used
- 7 - not used
- 8 - not used
- 9 - RS-485 -
- 10 - RS-485 +



OC1 OSDP converter to be located adjacent to your access control panel in a SECURE area.

Recommended cable Wiegand BELDEN 9538 (or equiv min 24 AWG).

RS-485 Bus
RS-485 Bus

Recommended cable for OSDP BELDEN 9502 (or equiv min 24 AWG).

B specification

OC1 - LED OPERATION

1. No communication with reader - LED flash RED 1/sec.
2. Communication with reader NOT using AES secure - LED shows steady YELLOW.
3. Communication with reader using AES secure - LED shows steady BLUE.

UL294 Performance Level Table

Feature	Level
Destructive Attack	1
Line Security	1
Endurance	4
Standby Power	1

Go to:
www.tm-readers.com
to view or download datasheets to our series of readers

dimensions:

72x44x25mm (2.8x1.7x1.0 in)

electrical

power supply:

power to be provided by a UL294 Listed, low-voltage Class 2 power limited supply or control panel.

voltage:

+10Vdc to +16Vdc

current max input:

34mA (without reader)

data voltage:

rest>4Vdc / active <1Vdc

data output:

RS485 (OSDP)

indication:

1 RGB LED

environmental

operating temp:

-0°C to +49°C (32°F to +120°F)

humidity:

85 ±5% at 30 ±2°C (86 ±3°F)

positioning:

NOT suitable for outdoor use.

wiring:

Wiring methods shall be in accordance with the National Electrical Code (ANSI/NFPA70) local codes, and the authorities having jurisdiction.

recommended cable:

BELDEN 9502 (or UL Listed) for RS485.

Wire size not less than 24AWG.

polymeric materials

UL746C